



Installation Instructions *Rev.01*

1" - 6" LIFT SPACER KIT

88-91006

READ INSTRUCTIONS THOROUGHLY
AND COMPLETELY BEFORE INSTALLATION.

INSTALLATION BY A CERTIFIED
PROFESSIONAL MECHANIC IS HIGHLY RECOMMENDED.

LOGIQ™ IS NOT RESPONSIBLE FOR ANY DAMAGE
OR FAILURE RESULTING FROM IMPROPER INSTALLATION.

WARRANTY

LOGIQ™ provides a limited lifetime warranty to the original purchaser of products, that the product be free from defects in workmanship and materials when used on cars and trucks as specified by LOGIQ™ and under normal operating conditions. This warranty is subject to the requirements and exclusions set forth in the full Limited Warranty and Return Policy that is available at logiqair.com/warranty. Air compressors are a wearing component and are covered by a 2-year warranty from the date of purchase. The warranty does not provide coverage for abuse, operation in a manner not consistent with the product's design, or damage resulting from exposure to the elements.



WARNING & DISCLAIMERS

By installing this product you acknowledge that the suspension of this vehicle has been modified. As a result, this vehicle may handle differently than that of factory-equipped vehicles. As with any vehicle, extreme care must be used to prevent loss of control or roll-over during sharp turns or abrupt maneuvers. Always wear seat belts, and drive safely, recognizing that reduced speeds and specialized driving techniques may be required. Failure to drive this vehicle safely may result in serious injury or death. Do not drive this vehicle unless you are familiar with its unique handling characteristics and are confident of your ability to maintain control under all driving conditions. Some modifications (and combinations of modifications) are not recommended and may not be permitted in your state. Consult your owner's manual, the instructions accompanying this product, and state laws before undertaking these modifications. You are responsible for the legality and safety of the vehicle you modify using these components.



READYAIR
POWERED BY LOGIQ

Installation Instructions
1" - 6" LIFT SPACER KIT
88-91006

TOOLS REQUIRED
SAFETY GLASSES
FLOOR JACK OR LIFT
JACK STAND (X2)
TORQUE WRENCH
3/8" DRIVE RATCHET
7/16" SOCKET
9/16" SOCKET
9/16" CROWSFOOT

QTY	PARTS INCLUDED
12	1" AIR SPRING LIFT SPACER
4	3/8" - 16 X 1.75" HEX HEAD BOLT
4	3/8" - 16 X 1.25" HEX HEAD BOLT
4	3/8" - 16 X 1" HEX HEAD BOLT
4	3/8" - 16 NYLOCK NUT
8	3/8" FLAT WASHER
20	1/4" - 20 X 1.75" HEX HEAD BOLT
20	1/4" - 20 NYLOCK NUT
20	1/4" FLAT WASHER
4	3/8" HEX SPACER
20	1/4" HEX SPACER
1	2ML RED THREADLOCKER PACKET

STEP 1 PREPARE TRUCK

Note original ride height measurement from center of rear fender arch to ground.

Measure your lift block to determine the difference from stock (i.e. 1", 2", 3", 4", 5", 6")

Safely lift truck and support with jack stands under axle. Remove the rear wheels.

STEP 2 REMOVE AIR SPRINGS



Fully deflate air springs and disconnect air line from the air fitting.

Remove the upper and lower air spring mounting hardware. Droop the suspension for easier removal of the assembly.

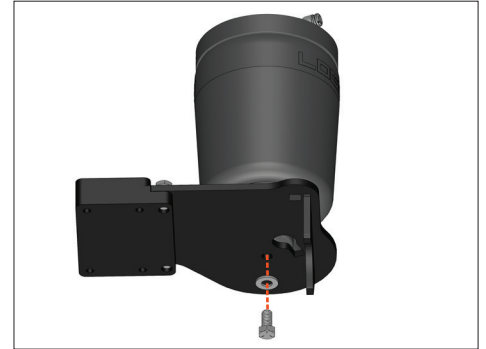
⚠ You do not need to remove the lower air spring bolt if you are installing a 1" lift.



Your upper and lower brackets may look different depending on the ReadyAIR Kit you have.

Un-bolt the two 3/8" bolts holding the upper bracket to the air spring.

Repeat for passenger side.



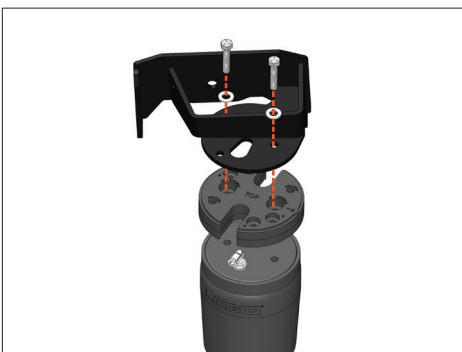
Unless installing a 1" lift, remove the one 3/8" bolt holding the lower bracket to the air spring and remove from vehicle.

Repeat for passenger side.

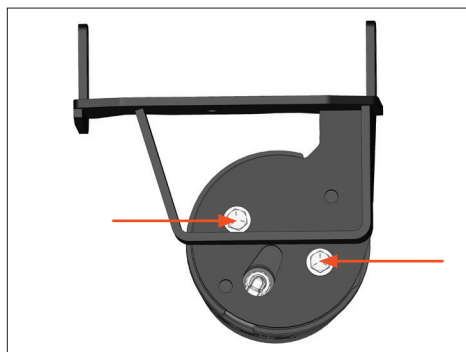
STEP 3 PREPARE TRUCK

Reference the lift amount section on the following pages that matches your lift block amount and then follow the steps to Prepare your A, B and Final spacers accordingly.

1" LIFT



Bolt one lift spacer between the air spring and upper bracket using the "AIR SPRING" holes and supplied 1.75" long 3/8" bolts with flat washers. Apply some threadlocker to each bolt.



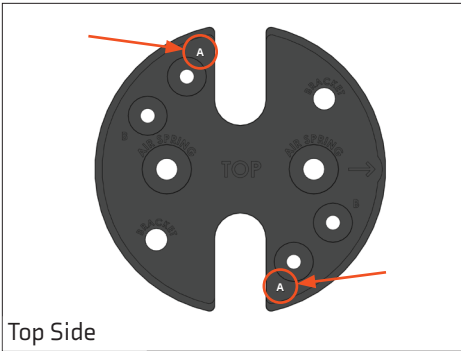
Torque the 3/8" hardware to **15 FT. LB.**

Reconnect air line to the air fitting.

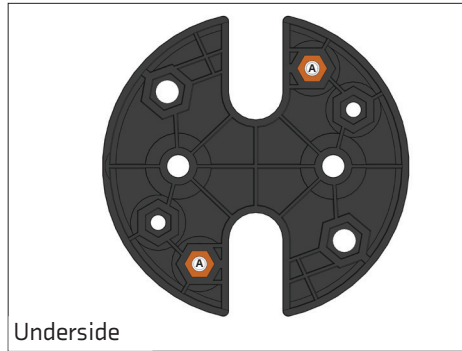
Repeat for passenger side.

Refer to Step 4 for verify fitment and Final Safety Checks.

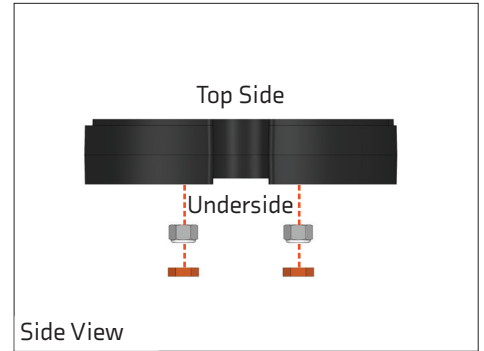
PREP "A" SPACERS



For 2-6 inch lifts, the lift spacers need to be prepped with hardware before assembling to the air spring.



Place a 1/4"-20 nut in the two hex holes on the underside of the lift spacer that correspond to the holes marked "A" on top of the lift spacer.

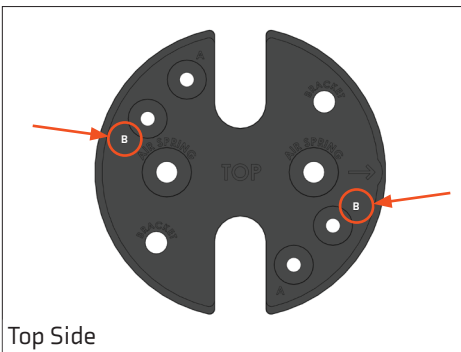


Press a 1/4" hex spacer in the two hex holes, on top of the nuts, as shown. This will secure the nuts in the hex holes.

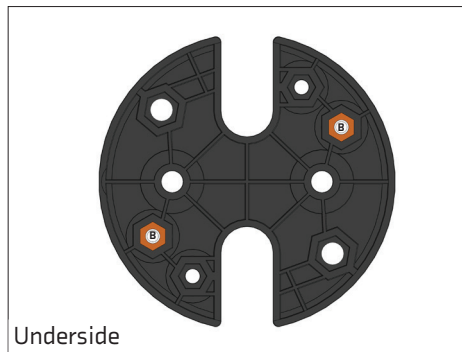
△ Make sure ALL nuts are oriented with the nylock portion of nut facing out, as shown, when they are inserted into the hex holes.

Prep as many "A" spacers as necessary for your lift height.

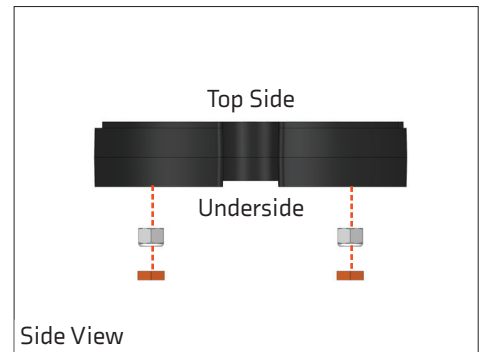
PREP "B" SPACERS



△ Skip this step if you are installing a 2 inch lift.



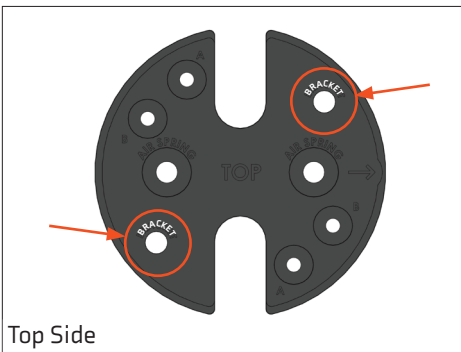
Place a 1/4"-20 nut in the two hex holes on the underside of the lift spacer that correspond to the holes marked "B" on top of the lift spacer.



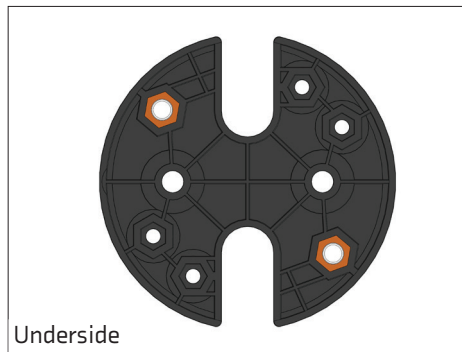
Press a 1/4" hex spacer in the two hex holes, on top of the nuts, as shown. This will secure the nuts in the hex holes.

Prep as many "B" spacers as necessary for your lift height.

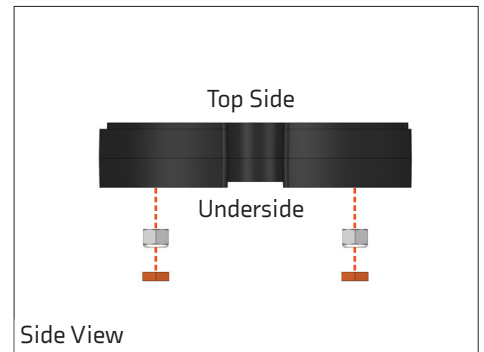
PREP FINAL SPACER



For the final spacer in your stack, place a 3/8"-16 nut in the two hex holes on the underside of the lift spacer that correspond to the holes marked "BRACKET" on top of the lift spacer.



Press a 3/8" hex spacer in the two hex holes, on top of the nuts, as shown. This will secure the nuts in the hex holes.



⚠ TORQUE EACH SET OF HARDWARE BEFORE INSTALLING THE NEXT SPACER/BRACKET.

Attach the prepped "A" spacer to the air spring through the "AIR SPRING" holes using the supplied 1" long 3/8" bolts and washers. Apply some threadlocker to each bolt.

Attach the final spacer to the assembly through the holes marked "A" using the supplied 1/4" bolts with washers.

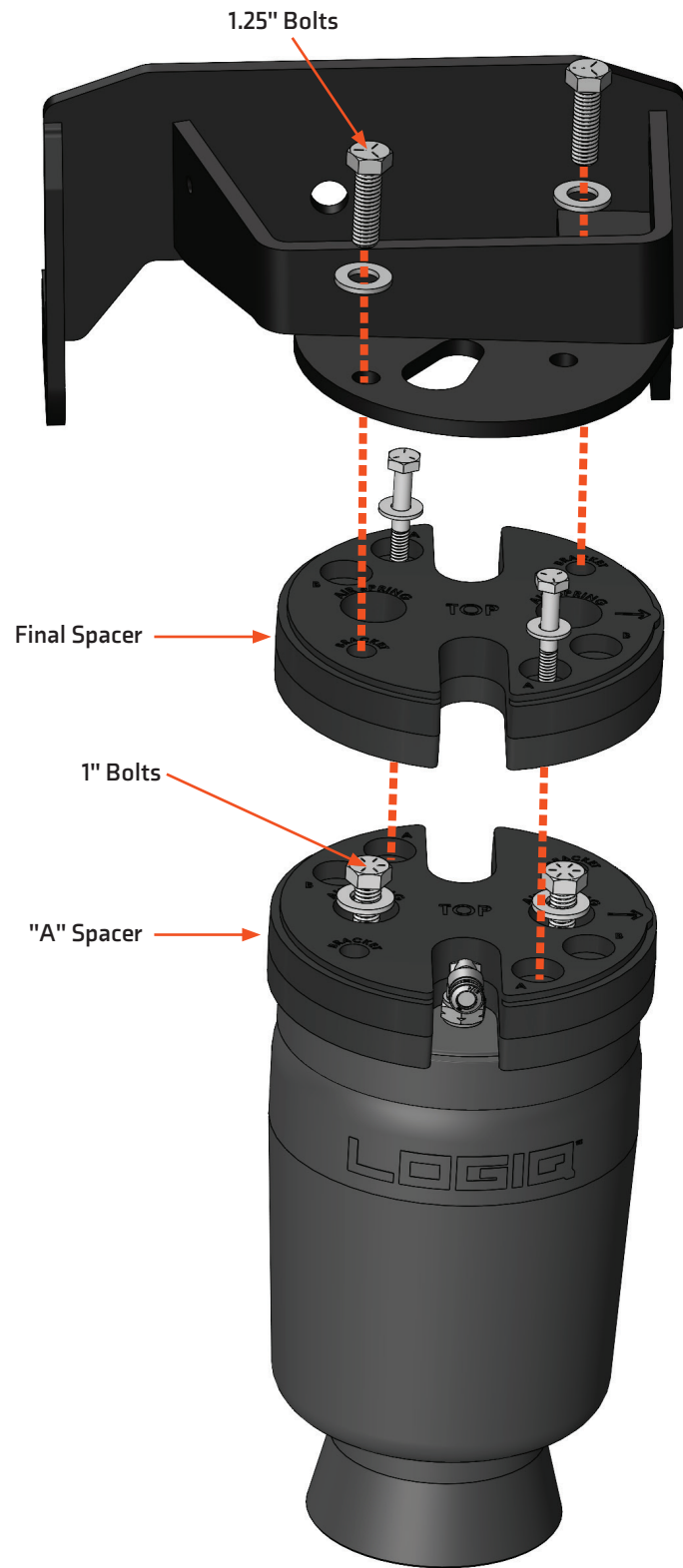
Attach the upper bracket to the assembly through the "BRACKET" holes using the supplied 1.25" long 3/8" bolts with washers.

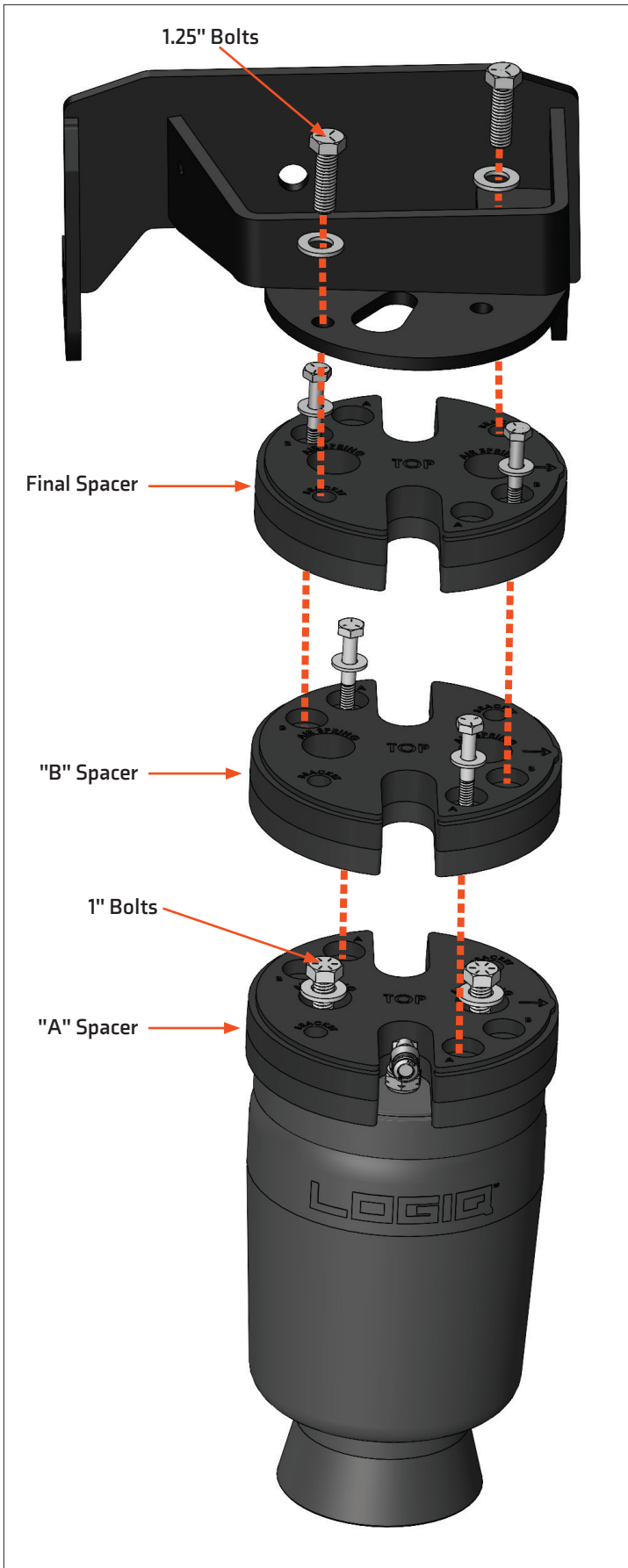
Torque 1/4" hardware to **7 FT. LB.**

Torque 3/8" hardware to **15 FT. LB.**

Once the upper bracket hardware has been torqued, attach the air spring assembly to the lower bracket. Snug the bolt and back it off a quarter turn.

Re-install the air spring assembly to the truck and fill the air springs with 10 psi, then torque the lower bolt to **15 FT. LB.**





⚠ TORQUE EACH SET OF HARDWARE BEFORE INSTALLING THE NEXT SPACER/BACKET.

Attach the spacers to the air spring in an alternating A-B fashion starting with an "A" spacer and ending with the final spacer.

The first "A" spacer is attached to the air spring through the "AIR SPRING" holes with the supplied 1" long 3/8" bolts with washers. Apply some threadlocker to each bolt.

Follow the diagram to attach the other spacers using the 1/4" bolts with washers.

Attach the upper bracket to the assembly through the "BRACKET" holes using the supplied 1.25" long 3/8" bolts with washers.

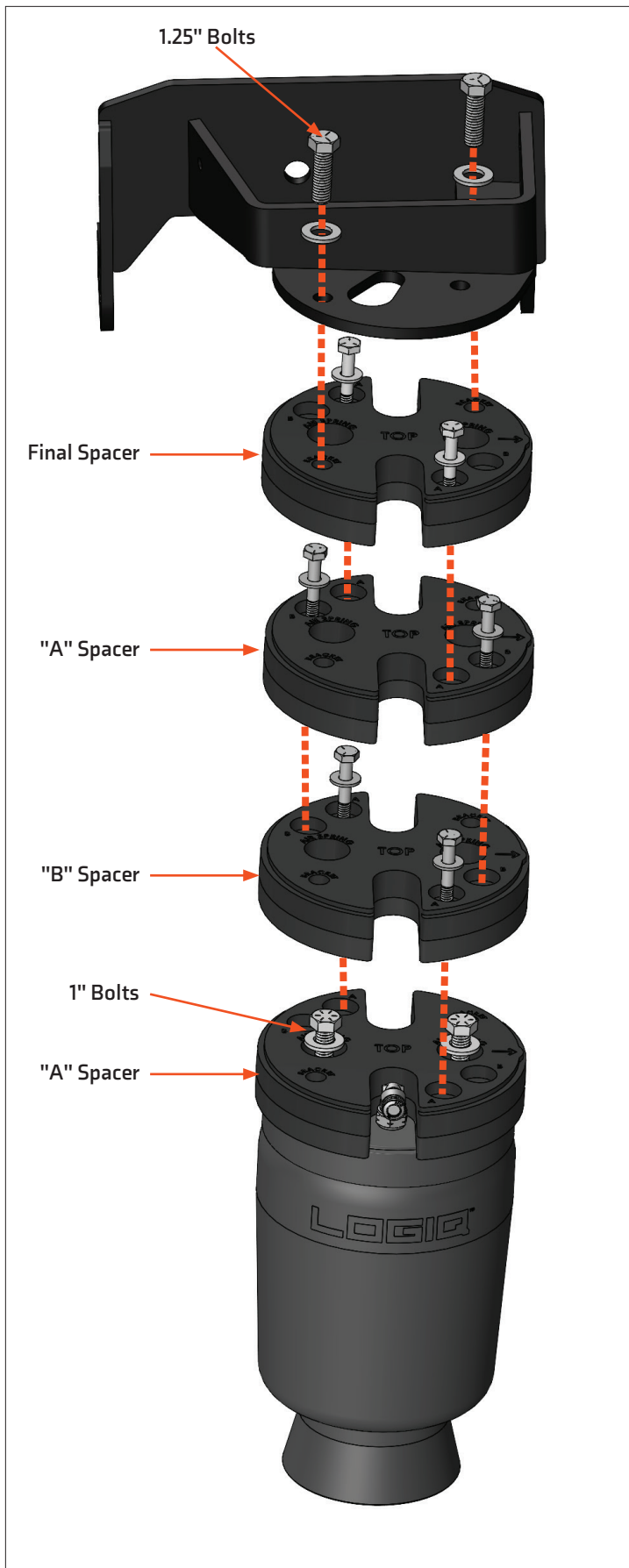
Torque 1/4" hardware to **7 FT. LB.**

Torque 3/8" hardware to **15 FT. LB.**

Once the upper bracket hardware has been torqued, attach the air spring assembly to the lower bracket. Snug the bolt and back it off a quarter turn.

Re-install the air spring assembly to the truck and fill the air springs with 10 psi, then torque the lower bolt to **15 FT. LB.**

4" LIFT



⚠ TORQUE EACH SET OF HARDWARE BEFORE INSTALLING THE NEXT SPACER/BRACKET.

Attach the spacers to the air spring in an alternating A-B fashion starting with an "A" spacer and ending with the final spacer.

The first "A" spacer is attached to the air spring through the "AIR SPRING" holes with the supplied 1" long 3/8" bolts with washers. Apply some threadlocker to each bolt.

Follow the diagram to attach the other spacers using the 1/4" bolts with washers.

Attach the upper bracket to the assembly through the "BRACKET" holes using the supplied 1.25" long 3/8" bolts with washers.

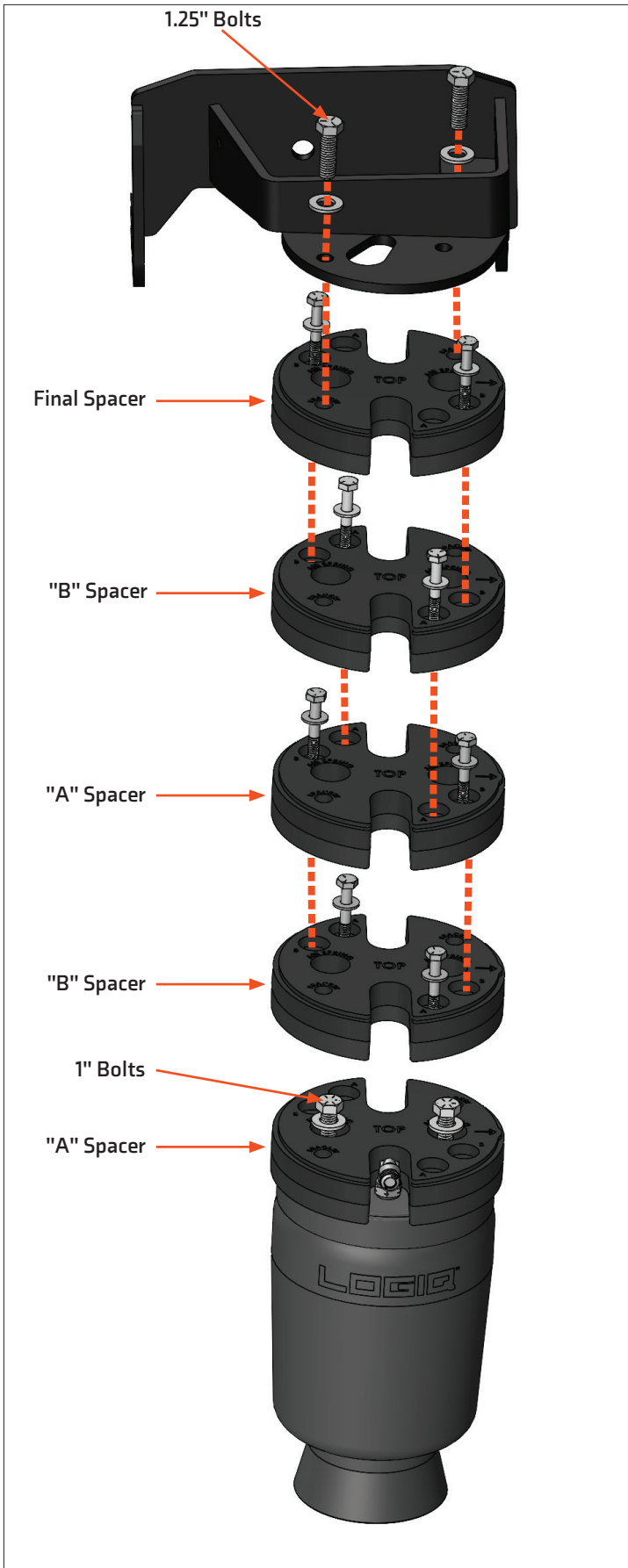
Torque 1/4" hardware to **7 FT. LB.**

Torque 3/8" hardware to **15 FT. LB.**

Once the upper bracket hardware has been torqued, attach the air spring assembly to the lower bracket. Snug the bolt and back it off a quarter turn.

Re-install the air spring assembly to the truck and fill the air springs with 10 psi, then torque the lower bolt to **15 FT. LB.**

5" LIFT



⚠ TORQUE EACH SET OF HARDWARE BEFORE INSTALLING THE NEXT SPACER/BRACKET.

Attach the spacers to the air spring in an alternating A-B fashion starting with an "A" spacer and ending with the final spacer.

The first "A" spacer is attached to the air spring through the "AIR SPRING" holes with the supplied 1" long 3/8" bolts with washers. Apply some threadlocker to each bolt.

Follow the diagram to attach the other spacers using the 1/4" bolts with washers.

Attach the upper bracket to the assembly through the "BRACKET" holes using the supplied 1.25" long 3/8" bolts with washers.

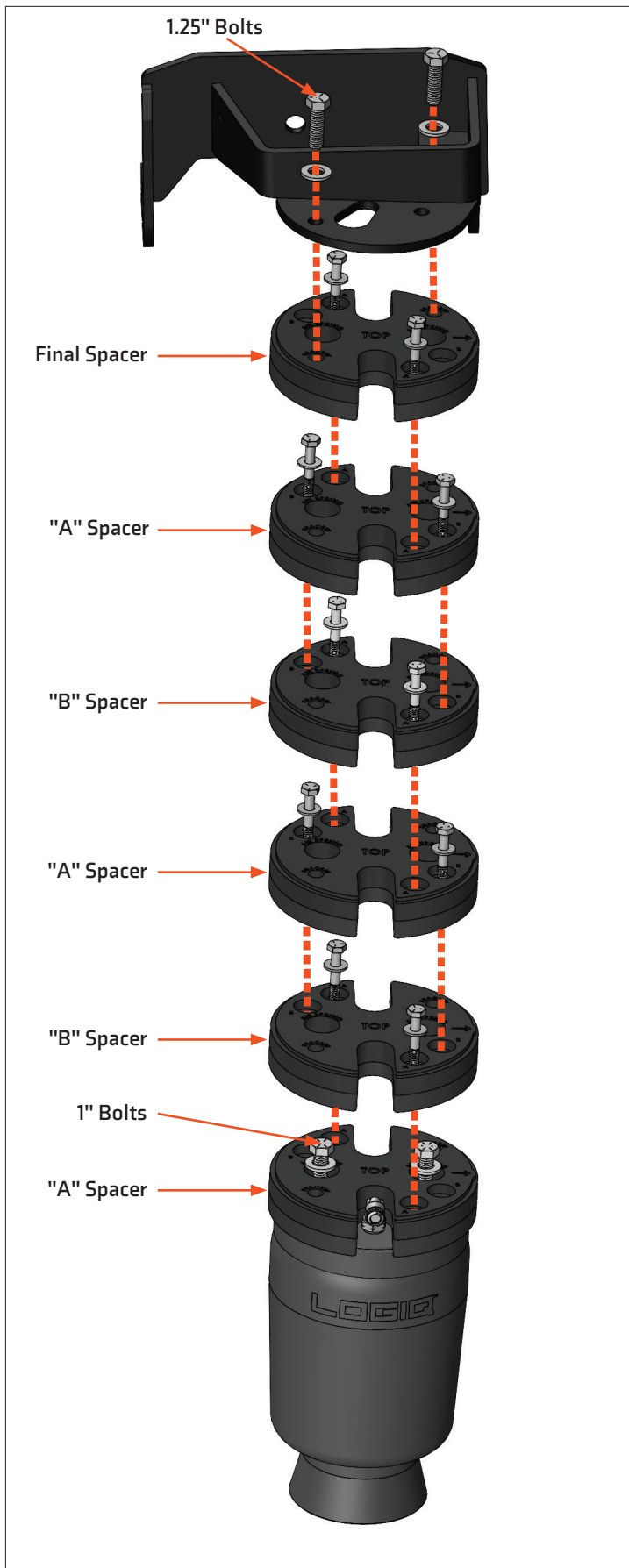
Torque 1/4" hardware to **7 FT. LB.**

Torque 3/8" hardware to **15 FT. LB.**

Once the upper bracket hardware has been torqued, attach the air spring assembly to the lower bracket. Snug the bolt and back it off a quarter turn.

Re-install the air spring assembly to the truck and fill the air springs with 10 psi, then torque the lower bolt to **15 FT. LB.**

6" LIFT



⚠ TORQUE EACH SET OF HARDWARE BEFORE INSTALLING THE NEXT SPACER/BRACKET.

Attach the spacers to the air spring in an alternating A-B fashion starting with an "A" spacer and ending with the final spacer.

The first "A" spacer is attached to the air spring through the "AIR SPRING" holes with the supplied 1" long 3/8" bolts with washers. Apply some threadlocker to each bolt.

Follow the diagram to attach the other spacers using the 1/4" bolts with washers.

Attach the upper bracket to the assembly through the "BRACKET" holes using the supplied 1.25" long 3/8" bolts with washers.

Torque 1/4" hardware to **7 FT. LB.**

Torque 3/8" hardware to **15 FT. LB.**

Once the upper bracket hardware has been torqued, attach the air spring assembly to the lower bracket. Snug the bolt and back it off a quarter turn.

Re-install the air spring assembly to the truck and fill the air springs with 10 psi, then torque the lower bolt to **15 FT. LB.**

STEP 4 VERIFY TRUCK FITMENT

Verify the installed height of your air springs is 9" +/- 1" with no load in the truck and 10 psi in the air springs.

Installed height is the distance between the upper air spring mounting plate and the lower air spring mounting plate.



STEP 5 FINAL SAFETY CHECKS

Check for leaks at fittings with soapy water.

Verify all fasteners are torqued properly.

Verify at least 10 psi in air spring before driving.



WARNING & DISCLAIMERS CONTINUED

Safety Warnings

MISUSE OF THIS PRODUCT COULD LEAD TO INJURY OR DEATH.

Suspension systems or components that enhance the on and off-road performance of your vehicle may cause it to handle differently than it did from the factory. Extreme care must be used to prevent loss of control during abrupt maneuvers.

Always operate your vehicle at reduced speeds to ensure your ability to control your vehicle under all driving conditions. Failure to drive safely may result in serious injury or death.

Driver and passengers must **ALWAYS** wear seat belts, avoid quick sharp turns and other sudden maneuvers. LOGIQ™ does not recommend the combined use of suspension lifts, body lifts, or other lifting devices.

You should never operate your vehicle under the influence of alcohol or drugs.

Constant maintenance is required to keep your vehicle safe. Thoroughly inspect your vehicle before and after every off-road use.

It is the responsibility of the retailer and/or the installer to review all state and local laws, with the end user of this product, related to bumper height laws and the lifting of their vehicle before the purchase and installation of any LOGIQ™ products.

Raised vehicles have altered viewing angles than stock vehicles. This can lead to larger or different blind spots than the driver is accustomed. It is the responsibility of the driver to be aware of this and check their surroundings at all times while the vehicle is in motion and immediately prior to operating vehicle. Failure to do so can lead to damages, injury, or death.

Installation Warning

All steps and procedures described in these instructions were performed while the vehicle was properly supported on a two post vehicle lift with safety jacks.

Use caution during all disassembly and assembly steps to ensure suspension components are not over extended causing damage to any vehicle components and parts included in this kit.

Included instructions are guidelines only for recommended procedures and are not meant to be definitive. Installer is responsible to insure a safe and controllable vehicle after performing modifications.

LOGIQ™ recommends the use of an OE Service Manual for model/year of vehicle when disassembly and assembly of factory and related components.

Unless otherwise specified, tighten all bolts and fasteners to standard torque specifications listed within the OE Service Manual.

Suspension components that use rubber or urethane bushings should be tightened with the vehicle at normal ride height. This will prevent premature wear or failure of the bushing and maintain ride comfort.

Larger tire and wheel combinations may increase leverage on suspension, steering, and related components.

Due to payload options and initial ride height variances, the amount of lift/lower is a base figure. Final ride height dimensions may vary in accordance to original vehicle ride height. Always measure the vehicle ride height prior to beginning installation.



WARNING & DISCLAIMERS

SAEJ2492 Warning

By installing this product, you acknowledge that the suspension of this vehicle has been modified. As a result, this vehicle may handle differently than that of factory-equipped vehicles. As with any vehicle, extreme care must be used to prevent loss of control or roll-over during sharp turns or abrupt maneuvers. Always wear seat belts, and drive safely, recognizing that reduced speeds and specialized driving techniques may be required. Failure to drive this vehicle safely may result in serious injury or death. Do not drive this vehicle unless you are familiar with its unique handling characteristics and are confident of your ability to maintain control under all driving conditions. Some modifications (and combinations of modifications) are not recommended and may not be permitted in your state. Consult your owner's manual, the instructions accompanying this product, and state laws before undertaking these modifications. You are responsible for the legality and safety of the vehicle you modify using these components.

Headlamp Warning

A lifted or lowered vehicle may have different headlight aim performance. LOGIQ™ recommends marking and recording the headlight beam position before kit installation and then adjusting, if necessary, the headlamps to the same height settings after kit installation. Set the vehicle on a level surface 10' to 15' from a solid wall or garage door. (This is a general distance with some manufacturers requiring different distances.) Note the top height of the low beam's bright spot, the top of the most intense part of the beam, for driver and passenger side. Height may vary from side to side. Repeat this procedure and adjust after lift kit is installed. Adjust if the aim is off by turning the adjusters gradually (a quarter of a turn) and looking to see where the new alignment falls. It may be easier to block one headlamp while adjusting the other. Consult the owner operation manual for procedures to adjust headlights - many automakers offer headlight aiming specs. Some states have their own specifications when it comes to headlight aim, so it's best to follow those rules when aligning headlights.

FAILURE TO PERFORM THE POST INSPECTION CHECKS MAY RESULT IN VEHICLE COMPONENT DAMAGE AND/OR PERSONAL INJURY OR DEATH TO THE DRIVER AND/OR OTHERS.

Final Checks & Adjustments

Once the vehicle is lowered to the ground, check all parts which have rubber or urethane components to ensure proper torque. Torque lug nuts to the wheel manufacturer specs. Move vehicle backwards and forwards a short distance to allow suspension components to adjust. Turn the front wheels completely left then right and verify adequate tire, wheel, brake line, and ABS wire clearance. Test and inspect steering, brake and suspension components for tightness and proper operation. Inspect brake hoses and ABS lines for adequate slack at full extension, adjust as necessary.

RECHECK ALL HARDWARE FOR PROPER TORQUE VALUES AFTER 500 MILES, AND THEN PERIODICALLY AT EACH SERVICE INTERVAL THEREAFTER.

Vehicle Handling Warning

Increasing the height of your vehicle raises the center of gravity and can affect stability and control. Use caution on turns and when making steering corrections.

Vehicles with larger tires and wheels will handle differently than stock vehicles. Take time to familiarize yourself with the handling of your vehicle.

Wheel Alignment/Headlamp Adjustment

It is necessary to have a proper and professional wheel alignment performed by a certified alignment technician. Align the vehicle to factory specifications. It is recommended that your vehicle alignment be checked after any off-road driving.

In addition to your vehicle alignment, for your safety and others, it is necessary to check and adjust your vehicle headlamps for proper aim and alignment. If the vehicle is equipped with active or passive safety/collision monitoring and/or avoidance systems including, but not limited to, camera- or radar-based systems, check and adjust your vehicle's systems for proper aim and function.